

On-Grade Finished Area Floor Drains

FD-200-L Floor Drain with Square Heavy Duty Strainer



Model Number	Weight (lbs.)	Str. Size	Outlet Size	Strainer	List Price
FD-202, 3, 4-L5	10	5" Sq.	2, 3, 4"	nickel bronze	\$687.00
FD-202, 3, 4-L5-4	11	5" Sq.	2, 3, 4"	ductile iron	443.00
FD-202, 3, 4-L6	14	6" Sq.	2, 3, 4"	nickel bronze	817.50
FD-202, 3, 4-L6-9	14	6" Sq.	2, 3, 4"	NB hinged	1,093.00
FD-202, 3, 4-L8	16	8" Sq.	2, 3, 4"	nickel bronze	1,176.00
FD-202, 3, 4-L8-9	16	8" Sq.	2, 3, 4"	NB hinged	1,452.00

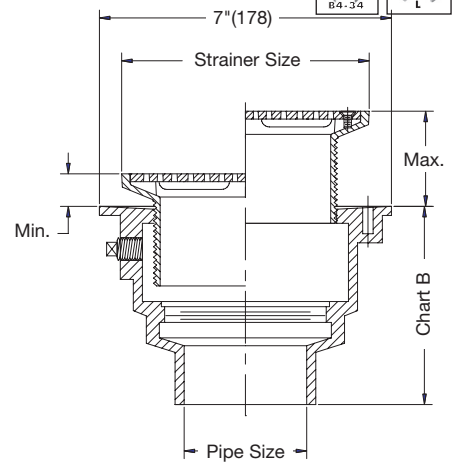
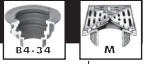


Chart A		
Strainer Dia.	Min.	Max.
5"x5"	1 1/2"	2 5/16"
6"x6"	1 1/2"	2 5/16"
8"x8"	1 1/2"	2 3/4"

Chart B			
Pipe Size	No Hub	Push On	PVC/ABS
2"	4 3/4"	5 1/2"	4"
3"	4 3/4"	5 1/2"	4"
4"	4 3/4"	5 1/2"	4"

FD-200-M Floor Drain with Square Strainer



Model Number	Weight (lbs.)	Str. Size	Outlet Size	Strainer	List Price
FD-202, 3, 4-M5	10	5" Sq.	2, 3, 4"	nickel bronze	\$581.00
FD-202, 3, 4-M6	14	6" Sq.	2, 3, 4"	nickel bronze	655.00
FD-202, 3, 4-M6-9	14	6" Sq.	2, 3, 4"	NB hinged	809.00
FD-202, 3, 4-M8	16	8" Sq.	2, 3, 4"	nickel bronze	978.00
FD-202, 3, 4-M8-9	16	8" Sq.	2, 3, 4"	NB hinged	1,316.00

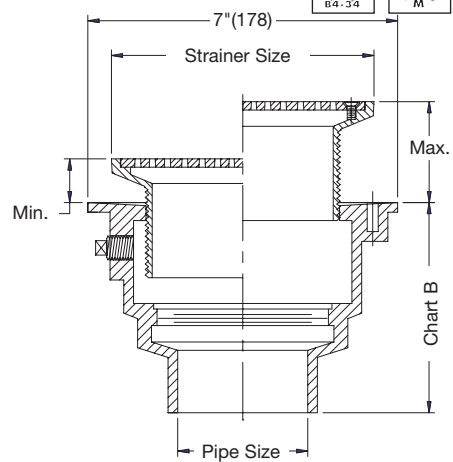


Chart A		
Strainer Dia.	Min.	Max.
5"x5"	1 1/2"	2 5/16"
6"x6"	1 1/2"	2 5/16"
8"x8"	1 1/2"	2 3/4"

Chart B			
Pipe Size	No Hub	Push On	PVC/ABS
2"	4 3/4"	5 1/2"	4"
3"	4 3/4"	5 1/2"	4"
4"	4 3/4"	5 1/2"	4"

Note: Funnels are ordered separately. See page 63 for details.

Options for FD-200 Series:

Suffix	Description	List Price	Suffix	Description	List Price
None	No Hub Outlet	No Add	-15	Strainer Extension (DD-50)	\$141.00
P	Push-On Outlet	No Add	-60	PVC Body w/Socket Outlet	No Add
X	Inside Caulk	No Add	-61	ABS Body w/Socket Outlet	No Add
-5	Sediment Bucket	\$108.00	-F4-50	4" Round Cast Iron Funnel	179.00
-6	Vandal Proof	54.50	-F4-1	4" Round Nickel Bronze Funnel	428.00
-7	Trap Primer Tapping	No Add	-F6-1	6" Round Nickel Bronze Funnel	625.50
-8	Ball Float Backwater Valve (2,3,4" Only)	377.50	-G-50	4x9" Oval Cast Iron Funnel	423.00
-13	Galvanized Body	195.50	-G-1	4x9" Oval Nickel Bronze Funnel	872.00